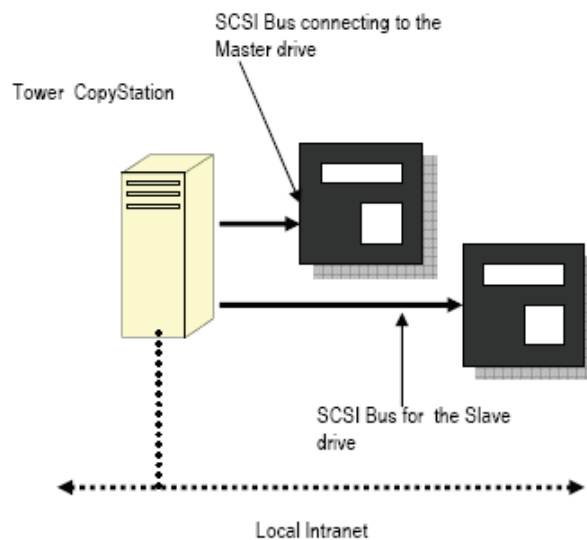


High-speed Tape Duplicator

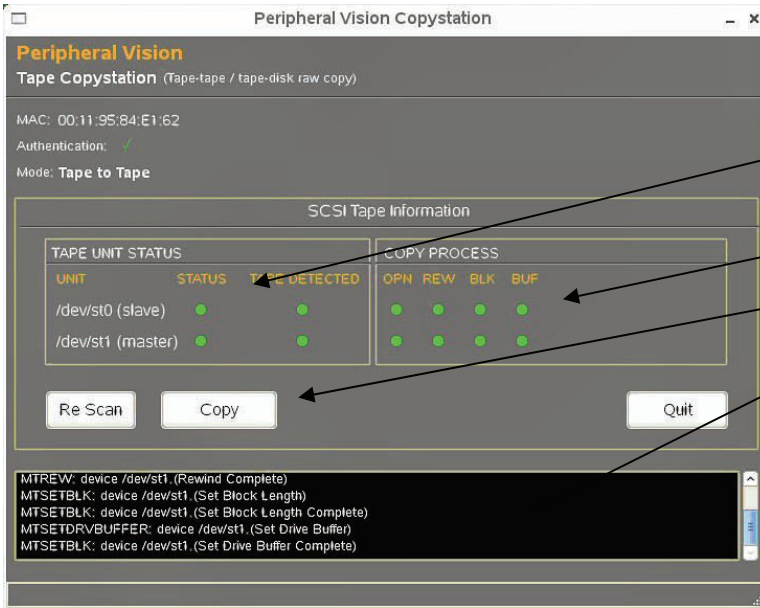
The Avax Tape CopyStation is designed to produce exact copies from a single source (Master) tape, to a single target (Slave) tape. Copy data rates of up to 50 Gb/hr are possible. The Drives may be LTO, (S)DLT, AIT, etc or any mix of these.

The unit is based on a standard ATX PC motherboard with PCI SCSI tape adapters. The motherboard mounted in a standard PC tower cabinet. A monitor and keyboard can be attached to the CopyStation for standalone operation. Alternatively, the unit can be connected to the local intranet, and by using Remote Desktop can be operated from any screen on the network.



Features

- High speed tape copies from a Master drive to a single Slave drive
- Compatible with any SCSI drive— LTO, (S)DLT, AIT, QIC, DAT, 3590 etc.
- Simple to use—connect a standard monitor, and the tape drives, boot the CopyStation and follow the on-screen instructions.
- Can copy tapes from any SCSI drive, to a different format drive if required.
- Copy to disk image option available
- Uses a standard ATX motherboard and adapters



Tape drive Status – Master & Slave drive status

Copy Process activity

Control Buttons

Real-time Copy process status screen

CopyStation Screen & Controls

Specifications

- SCSI Transfer rates of up to 50 GB/hr
- 68-way standard SCSI III connectors
- Compatible with any SCSI tape drive
- Universal Power Supply .97 -260 VAC
- Enclosure: Tower PC style

AVAX INTERNATIONAL

PO Box 542

Hillsburgh, Ontario N0B 1Z0 Canada

Tel: (800) 443-4542 or (647) 367-1039

Fax: (647) 438-2242

www.avax.com



Available from:

